



Model:

# 4320

Product Type:

# AIR NEEDLE SCALER

## Foreseen Use of the Tool

Do not use the tool outside of the design intent. Never modify the tool for any other purpose, or for its use.

## Safety Precaution

**Caution: To help prevent personal injury**

- Normal use of this product is likely to expose the user to dust and/or microscopic particles containing chemicals known to the State of California to cause cancer, birth defects or other reproductive harm. Always wear appropriate safety equipment and clothing when using this product. Study, understand and follow all instructions provided with this product.
- Always wear ANSI approved goggles when using this product.
- Always select the correct accessories of the correct size and design for the job that you are attempting to perform.
- Always work in a clean, safe, well-lit, organized and adequately equipped area.
- Do not begin repairs without assurance that vehicle is in secure position, and will not move during repair.
- Hand/Wrist/Arm injury may result from repetitive work motion exposure to vibration.



# Astro Pneumatic Tool Company

www.astrotools.com

## 1 YEAR LIMITED WARRANTY

Astro Pneumatic Tool Co. warrants our products to the original user against defective material or workmanship for a period of 1 year from the date of 1st use. Astro reserves the right to determine whether the product failed because of defective material, workmanship or other causes and to charge back for missing parts. Astro Pneumatic Tool Co., at its discretion, will repair products covered under this warranty free of charge. The original user is to return the product (with the exceptions listed below) with the distributor's name, address, adequate proof of date of purchase or a copy of warranty card, and a short note explaining the problem. **Failures caused by accident, alteration, or misuse are not covered by this warranty.**

Astro Pneumatic Tool Co. or its authorized service representatives must perform all warranty repairs. Any repair to the product by unauthorized service representatives voids this warranty. The rights under this warranty are limited to the original user and may not be transferred to subsequent owners.

This warranty is in lieu of all other warranties, expressed or implied, including warranties of merchantability and fitness for a particular purpose. Some states do not allow the exclusion of limitations of incidental or consequential damages so the above limitations may not apply to you. All claims must be sent to:

Astro Pneumatic Tool Company  
P.O. Box 251935  
Los Angeles, CA 90025



**PLEASE DO NOT RETURN ANY PRODUCT TO THE P.O. BOX.  
CALL 1-800-221-9705 FOR INSTRUCTIONS.**



## Product Information

- Ideal for scaling and rust removal
- Includes needle scaler attachment with 19 high tension steel needles
- Comes complete with flux chisel

### SPECIFICATIONS:

Needles:	3x12 7"
Stroke Speed:	4200bpm
Net Weight:	1.08/1.14kg
Length:	255/313mm
Air Consumption:	0.12m <sup>3</sup> /min
Air Inlet:	1/4"
Hose Size:	8mm
Sound Pressure:	91dBA
Vibration:	14.5m/S <sup>2</sup>

## Important

**Read these instructions carefully before installing, operating, servicing or repairing this tool. Keep these instructions in a safe accessible place.**

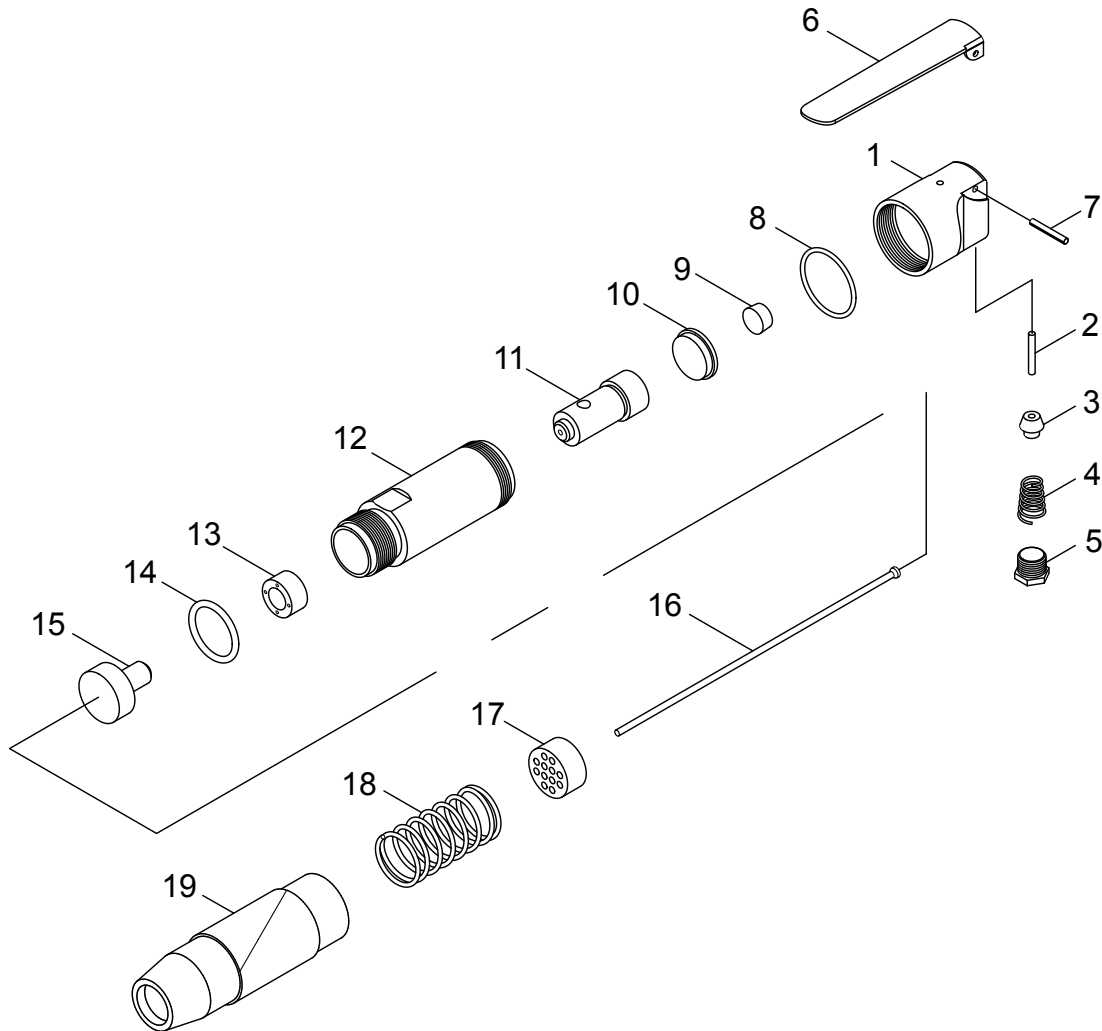
## Unpacking

**When unpacking, check the parts diagram and part number listing on page 2 to make sure all parts are included. If any parts are missing or damaged, please call your distributor.**

## AIR NEEDLE SCALER



## PARTS BREAKDOWN



## Parts List

Part No.	Description	Qty
4320-01	Back Head	1
4320-02	Valve Stem	1
4320-03	Valve Seat	1
4320-04	Spring	1
4320-05	Throttle Cap	1
4320-06	Lever	1
4320-07	Spring Pin	1
4320-08	O-Ring, Head & Cylinder	1
4320-09	Rubber Cushion	1
4320-10	Valve Cap	1

Part No.	Description	Qty
4320-11	Piston (20x17x47)	1
4320-12	Cylinder	1
4320-13	Chisel Bush	1
4320-14	O-Ring, Unit & Cylinder	1
4320-15	Needle Driver	1
4320-16	Needle (3x180L)	12
4320-17	Needle Holder	1
4320-18	Needle Holder Spring	1
4320-19	Needle Tube (110L)	1